

**PLEASE CHECK WWW.MOLEX.COM FOR LATEST PART INFORMATION**

**Part Number:** [0473065201](#)

**Status:** **Active**

**Overview:** [serial\\_ata\\_products](#)

**Description:** 1.27mm (.050") Pitch Serial ATA High Speed Header, Vertical, Surface Mount, with Locking Latches, 7 Circuits, Gold (Au) Flash Plating, Metal Post Length 2.65mm (.104"), with Mylar, Tape on Reel Package, Lead-free

**Documents:**

[3D Model](#)

[Product Specification PS-67491-001 \(PDF\)](#)

[Drawing \(PDF\)](#)

[RoHS Certificate of Compliance \(PDF\)](#)

**Agency Certification**

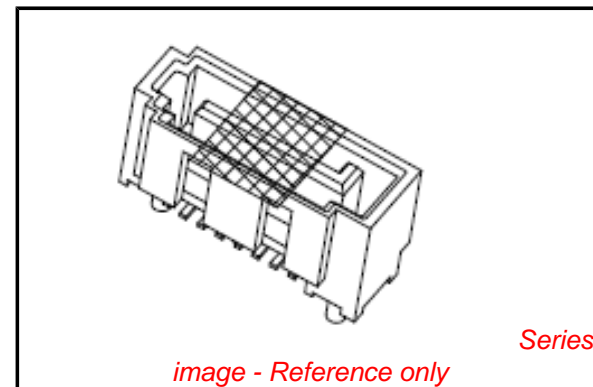
CSA LR 19980  
UL E29179

**General**

Product Family PCB Headers  
Series [47306](#)  
Application Board-to-Board  
Comments Staggered Solder Pin|Metal Post Length 2.65mm (.104")  
Overview [serial\\_ata\\_products](#)  
Product Name Serial ATA

**Physical**

Breakaway No  
Circuits (Loaded) 7  
Circuits (maximum) 7  
Color - Resin Black  
Durability (mating cycles max) 50  
First Mate / Last Break Yes  
Flammability 94V-0  
Glow-Wire Compliant No  
Guide to Mating Part Yes  
Keying to Mating Part Yes  
Lock to Mating Part Yes  
Mated Height (in) 0.331 In  
Mated Height (mm) 8.40 mm  
Material - Metal Brass  
Material - Plating Mating Gold  
Material - Plating Termination Tin  
Material - Resin High Temperature Thermoplastic  
Number of Rows 1  
Orientation Vertical  
PCB Locator Yes  
PCB Retention Yes  
Packaging Type Embossed Tape on Reel  
Pitch - Mating Interface (in) 0.050 In  
Pitch - Mating Interface (mm) 1.27 mm  
Pitch - Term. Interface (in) 0.050 In  
Pitch - Term. Interface (mm) 1.27 mm  
Plating min: Mating (µin) 2  
Plating min: Mating (µm) 0.05  
Plating min: Termination (µin) 50  
Plating min: Termination (µm) 1.27  
Polarized to Mating Part Yes  
Polarized to PCB Yes



**EU RoHS**

**ELV and RoHS Compliant**

**REACH SVHC**

Not Reviewed

**Halogen-Free**

**Status**

**Halogen-Free**

**Need more information on product environmental compliance?**

Email [productcompliance@molex.com](mailto:productcompliance@molex.com)  
For a multiple part number RoHS Certificate of Compliance, [click here](#)

Please visit the [Contact Us](#) section for any non-product compliance questions.

**China RoHS**



**Search Parts in this Series**

[47306Series](#)

Robotic Placement	Vacuum Pick-Up Tape
Shrouded	Fully
Stackable	No
Temperature Range - Operating	-35°C to +85°C
Termination Interface: Style	Surface Mount

### **Electrical**

Current - Maximum per Contact	1.5A
Voltage - Maximum	15V DC

### **Solder Process Data**

Duration at Max. Process Temperature (seconds)	10
Lead-free Process Capability	Reflow Capable (SMT only)
Max. Cycles at Max. Process Temperature	1
Process Temperature max. C	255

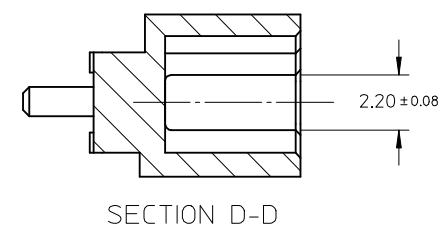
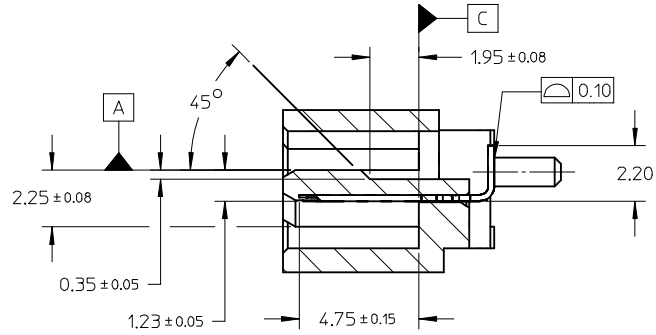
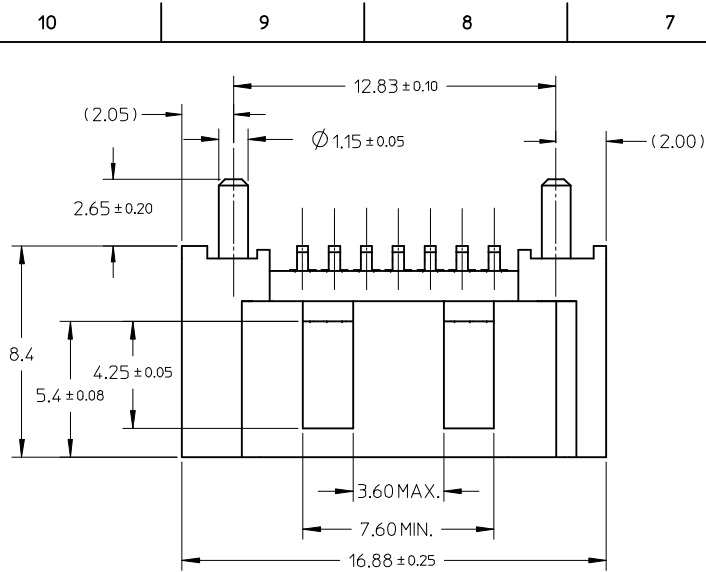
### **Material Info**

### **Reference - Drawing Numbers**

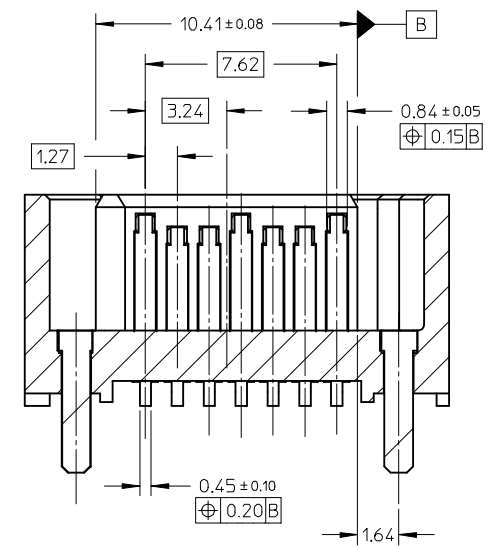
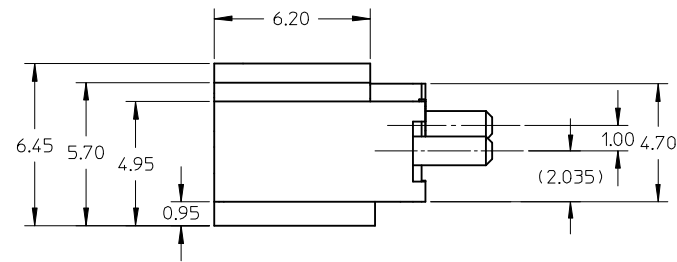
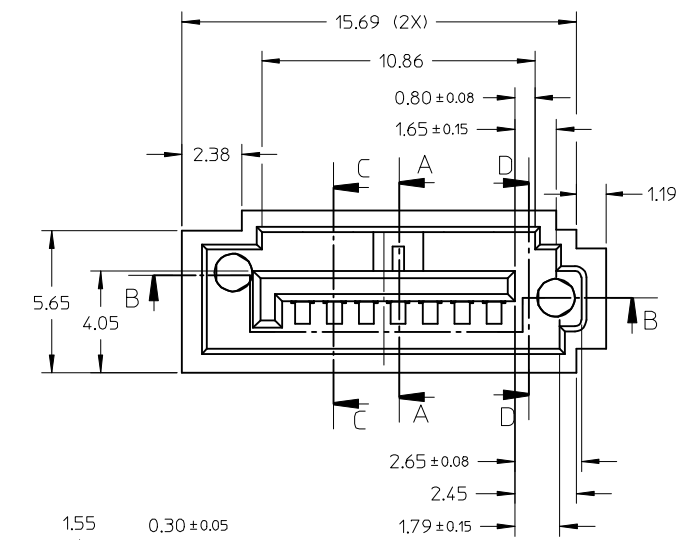
Packaging Specification	PK-47306-001
Product Specification	PS-67491-001
Sales Drawing	SD-47306-002

This document was generated on 05/26/2010

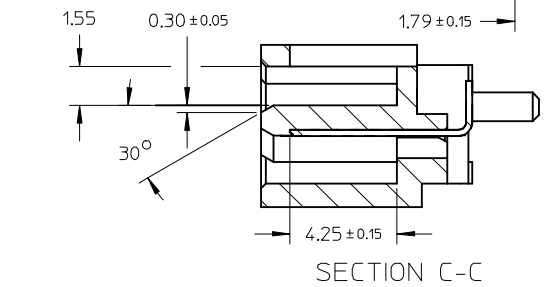
**PLEASE CHECK [WWW.MOLEX.COM](http://WWW.MOLEX.COM) FOR LATEST PART INFORMATION**



SECTION A-A



SECTION B-B

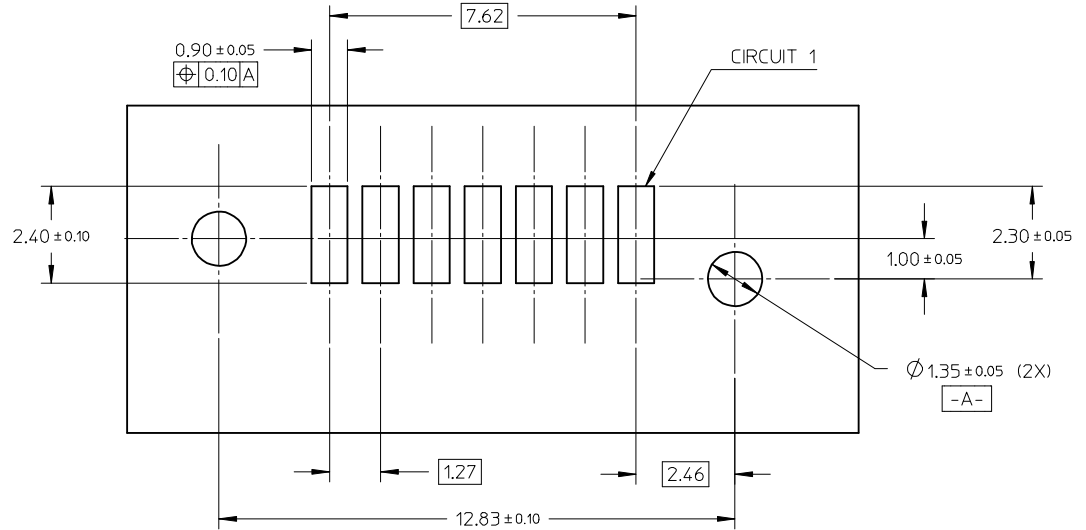


SECTION C-C

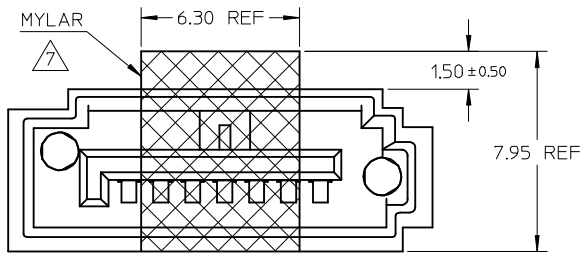
<b>NEW RELEASE</b> EC NO: SH2009-0076 DRWN: XQZHANG 2008/08/13 CHKD: XJSONG 2008/08/13 APPR: HWANG 2008/09/10	QUALITY SYMBOLS ▽ = 0 ◻ = 0	GENERAL TOLERANCES (UNLESS SPECIFIED)		DIMENSION STYLE <b>MM ONLY</b>		SCALE <b>1:1</b>	DESIGN UNITS <b>METRIC</b>	THIRD ANGLE PROJECTION		
			mm	INCH	DRAWN BY	DATE	TITLE			
		4 PLACES	± ---	± ---	CHEN BO	2007/09/04	<b>HIGH SPEED CONNECTOR          1.27MM PITCH VERTICAL          SMT SOLDER TAIL</b>			
		3 PLACES	± ---	± ---	JOHNSON	2007/09/04				
2 PLACES	± 0.15	± ---	APPROVED BY		DATE	<b>MOLEX INCORPORATED</b>				
1 PLACE	± 0.25	± ---	HARVEY		2007/09/04					
ANGULAR ± 1 °				MATERIAL NO. <b>47306-5201</b>		DOCUMENT NO. <b>SD-47306-002</b>		SHEET NO. <b>1 OF 2</b>		
DRAFT WHERE APPLICABLE MUST REMAIN WITHIN DIMENSIONS				SIZE <b>A3</b>		THIS DRAWING CONTAINS INFORMATION THAT IS PROPRIETARY TO MOLEX INCORPORATED AND SHOULD NOT BE USED WITHOUT WRITTEN PERMISSION				

NOTES:

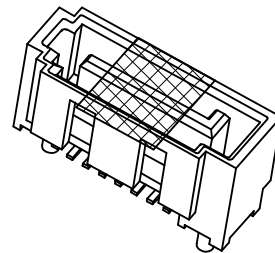
1. MATERIAL:  
HOUSING: HIGH TEMPERATURE THERMAL PLASTIC, GLASS FILLED, UL94V-0, COLOR: BLACK.  
TERMINAL: BRASS.  
POST: BRASS.
2. TERMINAL PLATING:  
CONTACT AREA: GOLD FLASH.  
SOLDER TAIL: TIN, THICKNESS=1.27 MICRON MINIMUM,  
UNDER PLATE: NICKEL, THICKNESS=1.27 MICRON MINIMUM.
3. POST PLATING: UNDER PLATE: NICKEL, THICKNESS=1.25 MICRON MINIMUM,  
TIN, THICKNESS=1.9 MICRON MINIMUM OVER ALL.
4. PACKAGING: PK-47306-001.
5. PRODUCT SPECIFICATION REFER TO PS-67491-001 .
6. RECOMMENDED SOLDERING PROCESS: IR PROCESS.
7. THE MYLAR STICKED ON THE HOUSING IS JUST USED FOR PICK-UP PLACE, PLEASE REMOVE IT AFTER REFLOW.
8. PRODUCT COMPLIANT TO RoHS DIRECTIVE 2002/95/EC AND ELV DIRECTIVE 2000/53/EC.



RECOMMENDED P.C.B LAYOUT  
CONNECTOR SIDE



REFERENCE SCHEMATICS OF MYLAR



NEW RELEASE EC NO: SH2009-0076 DRWN: XQZHANG 2008/08/13 CHKD: XJ SONG 2008/08/13 APPR: HWANG 2008/09/10	QUALITY SYMBOLS	GENERAL TOLERANCES (UNLESS SPECIFIED)		DIMENSION STYLE MM ONLY		SCALE 1:1	DESIGN UNITS METRIC	THIRD ANGLE PROJECTION	
	▼ = 0 ◻ = 0	4 PLACES ± --- ± --- 3 PLACES ± --- ± --- 2 PLACES ± 0.15 ± --- 1 PLACE ± 0.25 ± ---	mm INCH ± --- ± --- ± 0.15 ± --- ± 0.25 ± ---	DRAWN BY CHEN BO	DATE 2007/09/04	TITLE HIGH SPEED CONNECTOR 1.27MM PITCH VERTICAL SMT SOLDER TAIL			
	DRAFT WHERE APPLICABLE MUST REMAIN WITHIN DIMENSIONS	ANGULAR ± 1 °		CHECKED BY JOHNSON	DATE 2007/09/04	MOLEX INCORPORATED DOCUMENT NO. SD-47306-002			
	SIZE A3	THIS DRAWING CONTAINS INFORMATION THAT IS PROPRIETARY TO MOLEX INCORPORATED AND SHOULD NOT BE USED WITHOUT WRITTEN PERMISSION		MATERIAL NO. 47306-5201	DATE 2007/09/04	SHEET NO. 2 OF 2			